



## 390 | Hydrascreen

Screen Size: 3660 x 1524mm  
Top Deck: (12' x 5')

Bottom Deck: 3050 x 1524mm  
(10' x 5')

Net Engine Power: 53kW  
71HP

Portability: Wheeled

Operating Weight: 17,000Kgs\*  
37,478 lbs\*

\* Note: With tipping grid



### Specifications

#### Hopper and Grid

Adjustable height and angle remote tipping grid with wing plates.

Grid opening: 3650mm (12')

Feed with wing plates: 4152mm (13'7")

Feed height: 3770mm (12'4")

Grid aperture: 100mm (4"), 125mm (5"), 150mm (6")

Hopper capacity: 7m<sup>3</sup> (9.16yd<sup>3</sup>) with tipping grid

#### Screen Box

No hassle 2 bearing high performance screen box  
3660mm x 1524mm (12' x 5') top deck  
(side tensioned), 3 meshes 1219mm x 1486mm (4' x 5')  
3050mm x 1524mm (10' x 5') bottom deck  
(end tensioned), 2 meshes 1475mm x 1523mm (5' x 5.5')  
Screen speed: 1200 rpm  
Screen motor: 51cc/rev  
Hydraulic angle adjustment

#### Main Conveyor

1000mm(39") 3 ply belt, EP400,  
Hydraulic drive with steel skirting  
800cc/REV Motor  
Belt speed: 92mpm (302' per min)

#### Belt Feeder

1050mm(42") 3 ply belt, EP500, with  
127mm diameter close pitched rollers.  
Drum centres: 3680mm (12'1")  
Hydraulic variable speed drive  
800cc/REV Motor  
Wide mouth opening  
Belt speed: 0-16 mpm (53' per min)

#### Power Unit

Engine: Deutz air cooled engine  
– output 53kW (71 HP) at 2300 rpm

Fuel Consumption: 16.1 litres/hour  
(under full load) 3.5 UK gal/hour  
4.3 US gal/hour

#### Tank Capacities

Hydraulic Tank Capacity: 500 litres  
110 UK gal  
132 US gal  
Fuel Tank Capacity: 327 litres  
72 UK gal  
86 US gal

Hydrascreen  
**390**



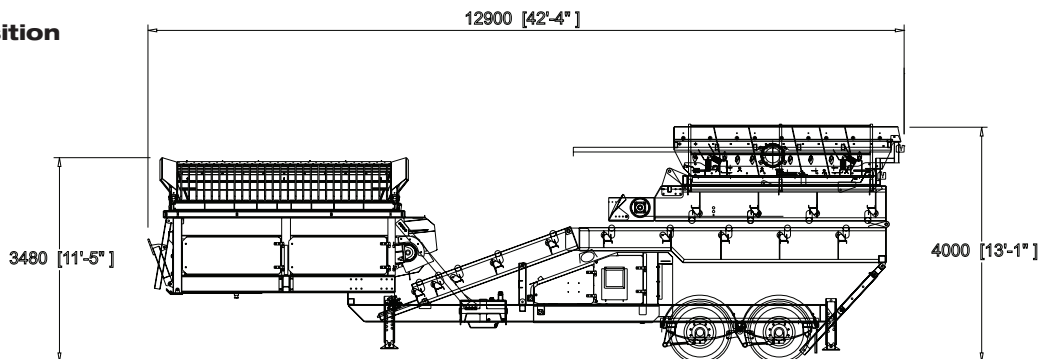
## Standard

Deutz Air-cooled engine, 53kW/71HP  
 2 nr 532 and 1 nr 632 stockpiler drive facility  
 1050mm wide variable speed belt feeder (No deflector doors)  
 7.0m<sup>3</sup> hopper (9.16 yd<sup>3</sup>) - 12'  
 100mm Remote control hydraulic tipping reject grid 3.65m (12') c/w grouser bars  
 3.66m x 1.52m (12' x 5') top screen and 3.05m x 1.52m (10' x 5') bottom screen  
 No mesh or speedharps included for any deck  
 (but all mesh fitting parts included as standard)  
 Screen box reject chutes (2 nr)  
 Open bottom sand box  
 1000mm wide main belt  
 Skirting on main conveyor  
 Hydraulic jacking legs  
 Twin braked and suspended axles  
 King pin towing facility & site draw bar  
 Guards to M & Q specification  
 Emergency stops (4 nr)

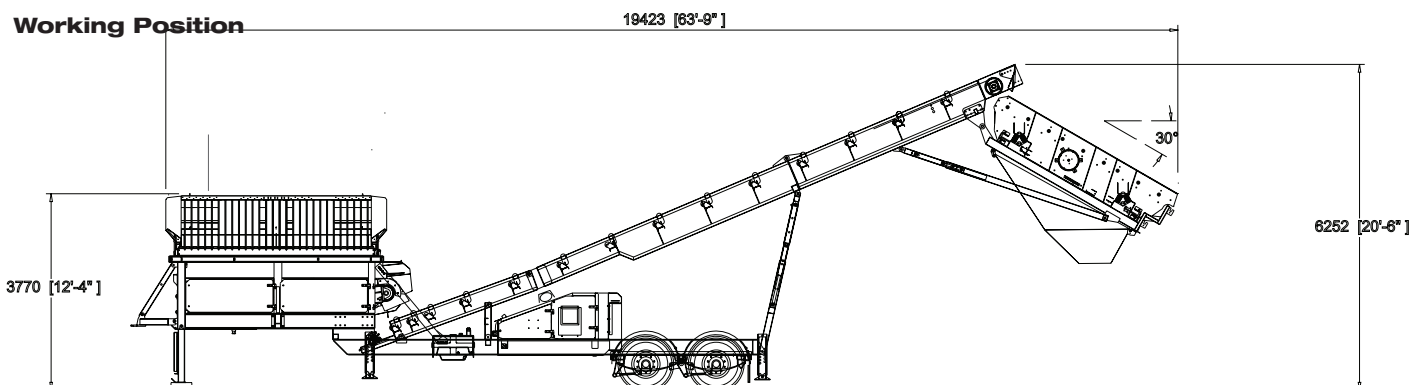
## Optional

Larger 8m<sup>3</sup> 14' hopper (10.5 yd<sup>3</sup>) with 4.25m (14') tipping grid  
 Elect/Hyd drive-Motor sizes dependant on specification c/w 2 nr 532 and 1 nr 632 stockpiler drive facility (not including control panel)  
 Deutz water-cooled engine, 75kW/100HP (check leadtime)  
 No grid but hopper deadplate fitted  
 100mm Single deck vibrating grid c/w abrasion resistant plate on wear surface of T Bars and Deutz water-cooled engine (100hp/75kw)  
 100mm Double deck vibrating grid c/w abrasion resistant plate on wear surface of T Bars top dk and mesh in bottom deck and Deutz water-cooled engine (100hp/75kw)  
 Hydraulic tensioning (bottom deck screen mesh)  
 3-deck screen box (3.66m x 1.52m - 12' x 5') all decks (possible separate transport required)  
 Top deck mesh  
 Middle deck mesh (3 deck screenbox only)  
 Bottom deck mesh/speedharp  
 Control to change screen box rotational direction  
 Catwalk on 1 x side of std conveyor and 1 x side of screen box with 1 set of access steps  
 Catwalk on both sides of screen box only with 2 nr access ladders  
 Catwalk 2 sides of std conveyor & 2 sides of screenbox with 2 sets of access steps  
 Dust covers on main belt  
 Light board  
 Hydraulic jacking legs at screen box end  
 Special paint colour (if different from Finlay Orange RAL 2002) , RAL nr must be specified on order

### Transport Position



### Working Position



Effective 01: 01, 2008. Product specifications and prices are subject to change without notice or obligation. The photographs and/or drawings in this document are for illustrative purposes only. Refer to the appropriate Operator's Manual for instructions on the proper use of this equipment. Failure to follow the appropriate Operator's Manual when using our equipment or to otherwise act irresponsibly may result in serious injury or death. The only warranty applicable to our equipment is the standard written warranty applicable to the particular product and sale and Terex makes no other warranty, express or implied. Products and services listed may be trademarks, service marks or trade-names of Terex Corporation and/or its subsidiaries in the USA and other countries. All rights are reserved. Terex® is a registered trademark of Terex Corporation in the USA and many other countries.

Copyright 2008 Terex Corporation.