



## 312 | Hydrascreen

Screen Size:	3050mm x 1220mm
Top Deck:	(10' x 4')
Bottom Deck:	2440mm x 1220mm
	(8' x 4')
Net Engine Power:	53kW 71HP
Portability:	Wheeled
Operating Weight:	13,500 kgs
	29,760 lbs

\*With tipping grid



### Specifications

#### Hopper and Grid

Adjustable height and angle remote tipping grid with wing plates.

Grid opening: 3193mm (10'6")

Feed with wing plates: 3695mm (12'1")

Feed height: 3817mm (12'6")

Grid aperture: 100mm (4"), 150mm (6")

Hopper capacity: 5.8m<sup>3</sup> (7.6yd<sup>3</sup>) (with tipping grid)

#### Screen Box

No hassle 2 bearing high performance screen box 3050mm x 1220mm (10' x 4') top deck (side tensioned), 2 meshes 1190mm x 1520mm (3' 11") x (5')

2440mm x 1220mm (8' x 4') bottom deck (end tensioned),

1 mesh 2340 mm x 1223mm (8' x 4")

Screen speed: 1250rpm

Screen Motor: 36cc/REV

Impact plate & spreader plate

Hydraulic angle adjustment from 18° to 39°

#### Tank Capacities

Hydraulic Tank Capacity:	350 litres
	77 UK gal,
	92 US gal

Fuel Tank Capacity:	145 litres
	32 UK gal
	38 US gal

#### Main Conveyor

800mm (32") 3 ply belt, EP400,

Hydraulic drive with skirting

500cc/REV Motor

Belt speed: 92mpm (302' per min)

#### Belt Feeder

800mm (32") 3 ply belt, EP500, with 127mm diameter close pitched rollers.

Drum centres: 3230mm (10'7")

Hydraulic variable speed drive

500cc/REV Motor

Wide mouth opening

Belt speed: 0-16 mpm (0 - 53' per min)

#### Power Unit

Engine:	Deutz air cooled engine
	(53kW (71HP) at 2300 rpm)

Fuel Consumption:	16.1litres/hour
(under full load)	3.5 UK gal/hour
	4.3 US gal/hour

# Hydrascreen 312



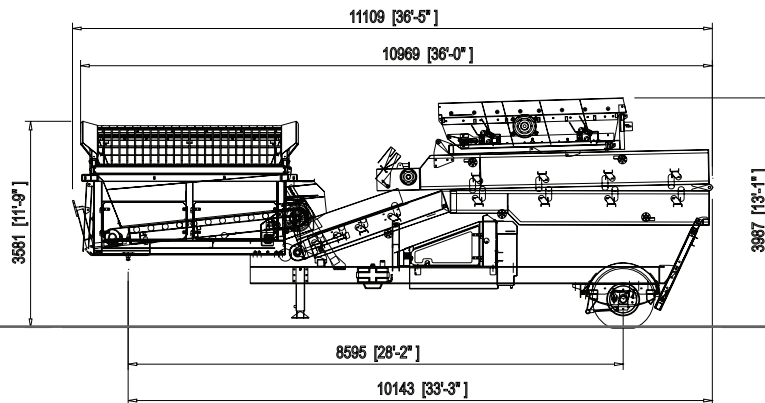
## Standard

Deutz Air-cooled engine, 53kW (71HP)  
 3 nr 532 stockpiler drives  
 800mm wide variable speed belt feeder  
 5.8m<sup>3</sup> hopper (7.6 yd<sup>3</sup>)  
 No deflector doors  
 100mm Remote tipping reject grid 3.2m (10'6") c/w grouser bars  
 3.05m x 1.22m (10' x 4') top deck screen & 2.44 x 1.22 (8' x 4') btm deck screen  
 No mesh or speedharps included for any deck (but all mesh fitting parts included as standard)  
 Screen box reject chutes (2 nr)  
 Open bottom sand box  
 800mm wide main belt  
 Skirting on main conveyor  
 Hydraulic jacking legs  
 Braked axle  
 King pin towing facility  
 Site draw bar  
 Guards to M & Q specification  
 Emergency stops (4 nr)

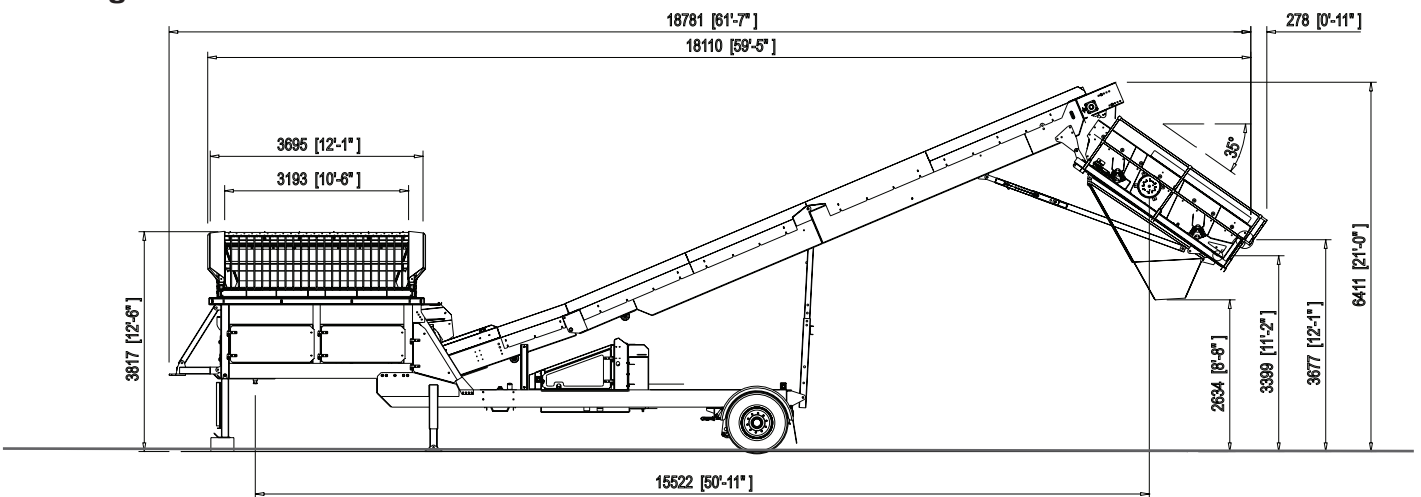
## Optional

Elect/Hyd drive - Motor sizes dependant on specification c/w  
 3 nr 532 stockpiler drives (not including electric control panel)  
 No grid but hopper deadplate fitted  
 100mm Single deck vibrating grid c/w abrasion resistant plate on wear surface of T Bars  
 100mm Double deck vibrating grid c/w abrasion resistant plate on wear surface of T Bars top dk and mesh in bottom deck  
 Top deck mesh  
 Bottom deck mesh/speedharp  
 Single leaf sprung suspension  
 Hydraulic tensioning (bottom deck screen mesh)  
 Light board  
 Catwalk on one side of conveyor and 1 x side screen box with 1 set of access steps  
 Catwalk on both sides of screen box with 2 nr access ladders  
 Catwalk on both sides of conveyor and both sides screen box with 2 x sets of access steps  
 Special paint colour (if different from Finlay Orange RAL 2002) , RAL nr must be specified on order

## Transport Position



## Working Position



Effective 01: 01, 2008. Product specifications and prices are subject to change without notice or obligation. The photographs and/or drawings in this document are for illustrative purposes only. Refer to the appropriate Operator's Manual for instructions on the proper use of this equipment. Failure to follow the appropriate Operator's Manual when using our equipment or to otherwise act irresponsibly may result in serious injury or death. The only warranty applicable to our equipment is the standard written warranty applicable to the particular product and sale and Terex makes no other warranty, express or implied. Products and services listed may be trademarks, service marks or trade-names of Terex Corporation and/or its subsidiaries in the USA and other countries. All rights are reserved. Terex® is a registered trademark of Terex Corporation in the USA and many other countries.

Copyright 2008 Terex Corporation.